



Sight Glasses

Features:

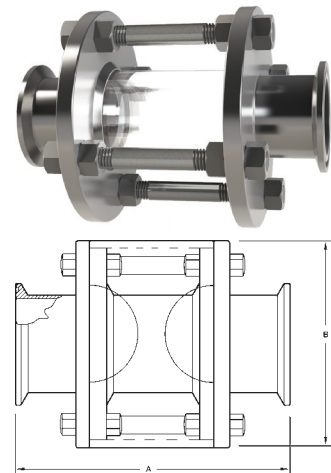
- 1" - 6" OD tube
- body: 316L stainless steel
- sight glass: Borosilicate glass or polycarbonate
- gaskets: white Buna or FKM
- 32R_a sanitary finish, ID and OD

In-line - B54BMP

Features:

- various end configurations are available: clamp, weld, bevel seat, John Perry, I-Line and Q-Line
- maximum temperature: **200°F (93°C)**

Tube OD	A	B	Working Pressure (PSI)	316L Stainless Steel Borosilicate Glass Part Number	316 Stainless Steel Polycarbonate Part Number
1"	5.625"	3.250"	145	B54BMP-R100	B54BMP-R100LX
1½"	5.625"	4.000"	145	B54BMP-R150	B54BMP-R150LX
2"	5.625"	4.250"	145	B54BMP-R200	B54BMP-R200LX
2½"	6.125"	4.750"	120	B54BMP-R250	B54BMP-R250LX
3"	7.250"	5.500"	120	B54BMP-R300	B54BMP-R300LX
4"	7.375"	6.500"	95	B54BMP-R400	B54BMP-R400LX
6"	7.625"	9.500"	80	B54BMP-R600	B54BMP-R600LX



Sanitary Fittings

Kits and Replacement Parts

Size	Buna Seal Kit Part Number	FKM Seal Kit Part Number	Borosilicate Glass Replacement Part Number	Polycarbonate Replacement Part Number
1"	B54BMP-SK100	B54BMP-VK100	B54G-P100	B54BMP-LX100
1½"	B54BMP-SK150	B54BMP-VK150	B54G-P150	B54BMP-LX150
2"	B54BMP-SK200	B54BMP-VK200	B54G-P200	B54BMP-LX200
2½"	B54BMP-SK250	B54BMP-VK250	B54G-P250	B54BMP-LX250
3"	B54BMP-SK300	B54BMP-VK300	B54G-P300	B54BMP-LX300
4"	B54BMP-SK400	B54BMP-VK400	B54G-P400	B54BMP-LX400
6"	B54BMP-SK600	B54BMP-VK600	B54G-P600	B54BMP-LX600

Seal kit contains: (2) white Buna gaskets

End Caps - B5416MP

Feature:

- for use on any line with a clamp and gasket
- maximum temperature: **150°F (66°C)**
- maximum operating pressure: **100 PSI**

Tube OD	A	B	Acrylic Plastic Part Number
1" - 1½"	.438"	1.984"	B5416MP-A100150
2"	.438"	2.516"	B5416MP-A200
2½"	.438"	3.047"	B5416MP-A250
3"	.438"	3.579"	B5416MP-A300
4"	.438"	4.682"	B5416MP-A400
6"	.438"	6.562"	B5416MP-A600

